

# Could a neuroscientist understand a microprocessor?

ERIC JONAS

University of California, Berkeley  
jonas@eecs.berkeley.edu

KONRAD KORDING

Northwestern University  
koerding@gmail.com

May 26, 2016

## Abstract

*There is a popular belief in neuroscience that we are primarily data limited, that producing large, multimodal, and complex datasets will, enabled by data analysis algorithms, lead to fundamental insights into the way the brain processes information. Microprocessors are among those artificial information processing systems that are both complex and that we understand at all levels, from the overall logical flow, via logical gates, to the dynamics of transistors. Here we take a simulated classical microprocessor as a model organism, and use our ability to perform arbitrary experiments on it to see if popular data analysis methods from neuroscience can elucidate the way it processes information. We show that the approaches reveal interesting structure in the data but do not meaningfully describe the hierarchy of information processing in the processor. This suggests that current approaches in neuroscience may fall short of producing meaningful models of the brain.*

The development of high-throughput techniques for studying neural systems is bringing about an era of big-data neuroscience [1, 2]. Scientists are beginning to reconstruct connectivity [3], record activity [4], and simulate computation [5] at unprecedented scales. However, even state-of-the-art neuroscientific studies are quite limited in organism complexity and spatiotemporal resolution [6, 7, 8]. It is hard to evaluate how much scaling these techniques will help us understand the brain.

A central problem in neuroscience is that we do not have a good way of evaluating if a theory is good. However, there are other systems, in particular man made ones that we do understand. As such, one can take a technical system and ask if the methods used for studying biological systems would allow understanding the technical system. In this way, we take as inspiration Yuri Lazbnick's well-known 2002 critique of modeling in molecular biology, "Could a biologist fix a radio?" [9]. A radio is clearly much simpler than the nervous system. As such it is desirable to ask if we could understand a more complex while still understandable system. A great such system are the simple processors that were used to power early computers. We may want to ask if our approaches would suffice to understand a processor.

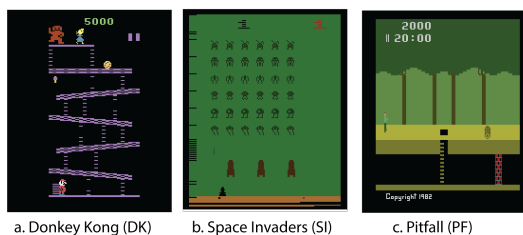
Here we will try to understand a known artificial system, a historic processor by applying data analysis methods from neuroscience. We want to see what kind of an understanding would emerge from using a broad range of currently popular data analysis methods. To do so, we will analyze the connections on the chip, the effects of destroying individual transistors, tuning curves, the joint statis-

tics across transistors, local activities, estimated connections, and whole brain recordings. For each of these we will use standard techniques that are popular in the field of neuroscience. We find that many measures are surprisingly similar between the brain and the processor and also, that our results do not lead to a meaningful understanding of the processor. The analysis can not produce the hierarchical understanding of information processing that most students of electrical engineering obtain. We argue that the analysis of this simple system implies that we should be far more humble at interpreting results from neural data analysis. It also suggests that the availability of unlimited data, as we have for the processor, is in no way sufficient to allow a real understanding of the brain.

## An engineered model organism

The MOS 6502 (and the virtually identical MOS 6507) were the processors in the Apple I, the Commodore 64, and the Atari Video Game System (VCS) (see [10] for a comprehensive review). The Visual6502 team reverse-engineered the 6507 from physical integrated circuits [11] by chemically removing the epoxy layer and imaging the silicon die with a light microscope. Much like with current connectomics work [12, 13], a combination of algorithmic and human-based approaches were used to label regions, identify circuit structures, and ultimately produce a transistor-accurate netlist (a full connectome) for this processor consisting of 3510 enhancement-mode transistors. Several other support chips, including the Television Interface Adaptor (TIA) were also reverse-engineered and a cycle-

## Could a neuroscientist understand a microprocessor?



**Figure 1: Example behaviors.** We use three classical video games as example behaviors for our model organism – (A) Donkey Kong (1981), (B) Space Invaders (1978), and (C) Pitfall (1981).

accurate simulator was written that can simulate the voltage on every wire and the state of every transistor. The reconstruction has sufficient fidelity to run a variety of classic video games, which we will detail below. The simulation generates roughly 1.5GB/sec of state information, allowing a real big-data analysis of the processor.

The simplicity of early video games has led to their use as model systems for reinforcement learning [14] and computational complexity research [15]. The video game system (“whole animal”) has a well defined output in each of the three behavioral conditions (games). It produces an input-dependent output that is dynamic, and, in the opinion of the authors, quite exciting. It can be seen as a more complex version of the Mus Silicium project [16]. The richness of the outputs motivate us to study this model system’s nervous system (the MOS 6502) in the light of these behaviors.

For this paper we will only use three behaviors, three different games. Obviously these “behaviors” are qualitatively different from those of animals and may seem more complicated. However, even the simple behaviors that are studied in neuroscience still involve a plethora of components, typically including the allocation of attention, cognitive processing, and multiple modalities of inputs and outputs. As such, the breadth of ongoing computation in the processor may actually be simpler than those in the brain.

The objective of clever experimental design in neuroscience often is to find behaviors that only engage one kind of computation in the brain. In the same way, all our experiments on the chip will be limited by us only using these games to probe it. As much as more neuroscience is interested in naturalistic behaviors [17], here we analyze a naturalistic behavior of the chip.

Much has been written about the differences be-

tween computation *in silico* and computation in biological systems [18, 19]—the stochasticity, redundancy, and robustness [20] present in biological systems seems dramatically different from that of a microprocessor. But there are many parallels we can draw between the two types of systems. Both systems consist of many similar units. They operate on multiple timescales. They consist of somewhat specialized modules organized hierarchically. They can flexibly route information and retain memory over time. Despite many differences there are also many similarities.

Importantly, many of the differences should make analysing the chip easier than analyzing the brain. For example, it has a clearer architecture and far fewer modules. The human brain has hundreds of different types of neurons and a similar diversity of proteins at each individual synapse [21], whereas our model microprocessor has only one type of transistor (which has only three terminals). The processor is deterministic while neurons exhibit various sources of randomness. With just a couple thousand transistors it is also far smaller. And, above all, in the simulation it is fully accessible to any and all experimental manipulations that we might want to do on it.

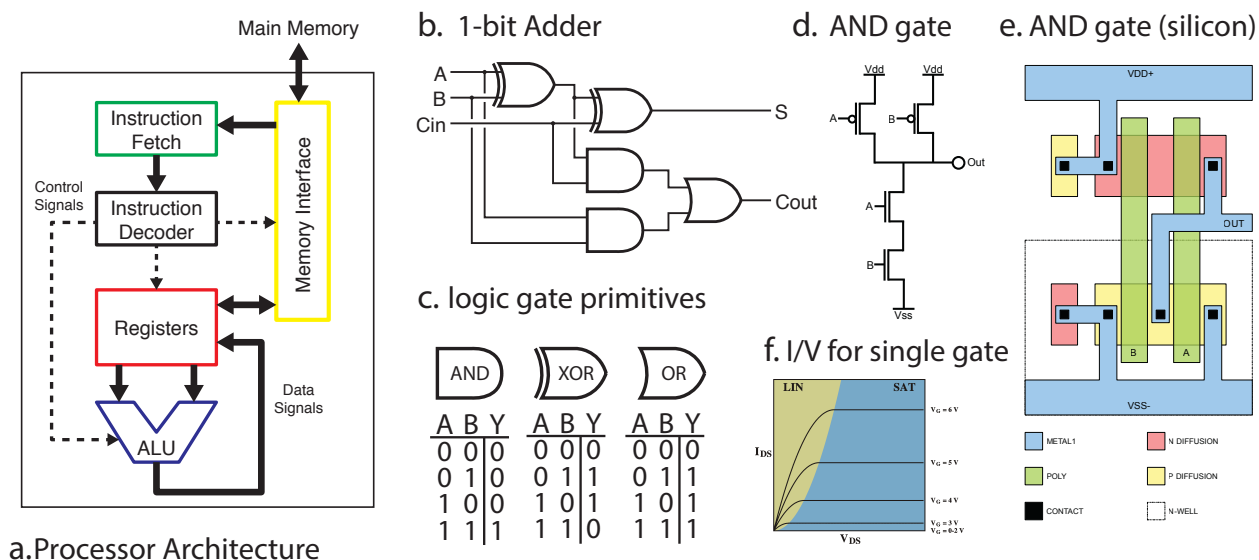
### What does it mean to understand a system

Importantly, the processor allows us to ask “do we really understand this system?” Most scientists have at least behavioral-level experience with these classical video game systems, and many in our community, including some electrophysiologists and computational neuroscientists, have formal training in computer science, electrical engineering, computer architecture, and software engineering. As such, we believe that most neuroscientists may have better intuitions about the workings of a processor than about the workings of the brain.

What constitutes an understanding of a system? Lazbnick’s original paper argued that understanding was achieved when one could “fix” a broken implementation. Understanding of a particular region or part of a system would occur when one could describe so accurately the inputs, the transformation, and the outputs that one brain region could be replaced with an entirely synthetic component. Indeed, some neuroengineers are following this path for sensory [22] and memory [23] systems. In this view, being able to fix something is sufficient to count as an understanding.

Alternatively, we could seek to understand a sys-

Could a neuroscientist understand a microprocessor?



**Figure 2: For the processor we know pretty well what we mean with understand** (A) The instruction fetcher obtains the next instruction from memory. This then gets converted into electrical signals by the instruction decoder, and these signals enable and disable various internal parts of the processor, such as registers and the arithmetic logic unit (ALU). The ALU performs mathematical operations such as addition and subtraction. The results of these computations can then be written back to the registers or memory. (B) Within the ALU there are well-known circuits, such as this one-bit adder, which sums two one-bit signals and computes the result and a carry signal. (C) Each logic gate in (B) has a known truth table and is implemented by a small number of transistors. (D) A single and gate is comprised of transistors, and has a physical instantiation as layers of silicon and metal on the chip (E). (F) For each transistor, we precisely know the I/V curve between its inputs and outputs.

tem at differing, complementary levels of analysis, as David Marr and Tomaso Poggio outlined in 1982 [24]. First, we can ask if we understand what the system does at the computational level: what is the problem it is seeking to solve via computation? We can ask how the system performs this task algorithmically: what processes does it employ to manipulate internal representations? Finally, we can seek to understand how the system implements the above algorithms at a physical level. What are the characteristics of the underlying implementation (in the case of neurons, ion channels, synaptic conductances, neural connectivity, and so on) that give rise to the execution of the algorithm? Note that at each level, we could conceive of multiple plausible solutions for the level below. This view demands for an understanding at all levels, and thus sets the bar for “understanding” considerably higher.

In this paper, much as in systems neuroscience, we consider the quest to gain an understanding of how circuit elements give rise to computation. Computer architecture studies how small circuit elements, like registers and adders, give rise to a system capable of performing general-purpose computation. When it comes to the processor, we un-

derstand this level extremely well, as it is taught to most computer science undergraduates. Knowing what a satisfying answer to “how does a processor compute?” looks like makes it easy to evaluate how much we learn from an experiment or an analysis.

What would a satisfying understanding of the processor look like?

We can draw from our understanding of computer architecture to firmly ground what a full understanding of a processor would look like 2. The processor is used to implement a computing machine. It implements a finite state machine which sequentially reads in an instruction from memory (fig 2, green) and then either modifies its internal state or interacts with the world. The internal state is stored in a collection of byte-wide registers (fig 2, red). As an example, the processor might read an instruction from memory telling it to add the contents of register A to the contents of register B. It then decodes this instruction, enabling the arithmetic logic unit (ALU, fig 2, blue) to add those registers, storing the output. Optionally, the next instruction might save the result back out to RAM (fig 2, yellow). It is this repeated cycle that gives rise to the complex series of

## Could a neuroscientist understand a microprocessor?

behaviors we can observe in this system. Note that this description in many ways ignores the functions of the individual transistors, focusing instead on circuits modules like "registers" which are composed of many transistors, much as a systems neuroscientist might focus on a cytoarchitecturally-distinct area like hippocampus as opposed to individual neurons.

Each of the functions within the processor contains algorithms and a specific implementation. Within the arithmetic logic unit, there is a byte wide adder, which is in part made of binary adders (fig 2b), which are made out of AND/NAND gates, which are made of transistors. This is in a similar way as the brain consists of regions, circuits, micro-circuits, neurons, and synapses.

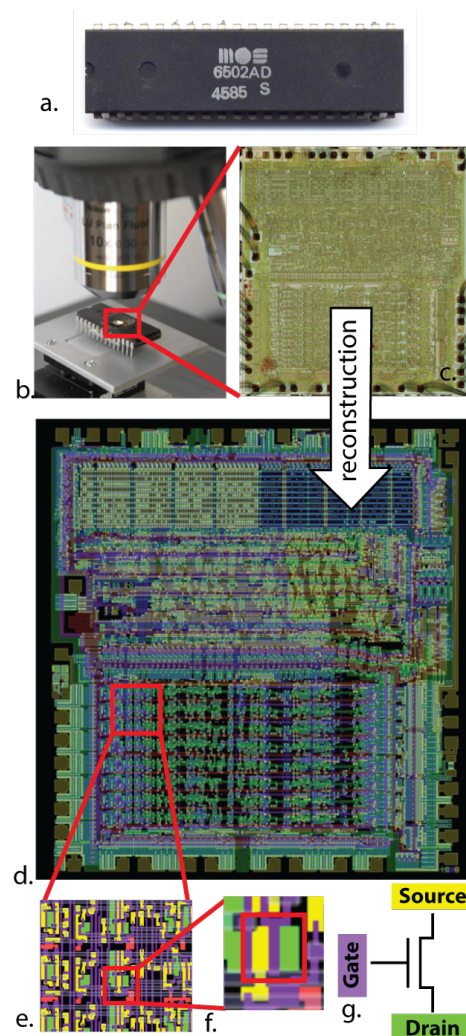
If we were to analyze a processor using techniques from systems neuroscience we would hope that it helps guide us towards the descriptions that we used above. In the rest of the paper we will apply neuroscience techniques to data from the processor. We will finally discuss how neuroscience can work towards techniques that will make real progress at moving us closer to a satisfying understanding of computation, in the chip, and in our brains.

### RESULTS

To showcase both the promise and the challenges present in big-data neuroscience, we will attempt to understand the behavior of this processor using methods that are standard in neuroscience. We will then examine the processor at increasingly-fine spatial and temporal resolutions, eventually achieving true "big-data" scale: a "processor activity map", with every transistor state and every wire voltage. As we apply the various techniques that are currently used in neuroscience we will ask how the analyses bring us closer to an understanding of the microprocessor (Fig. 2). We will use this well defined comparison to ask questions about the validity of current approaches to studying information processing in the brain.

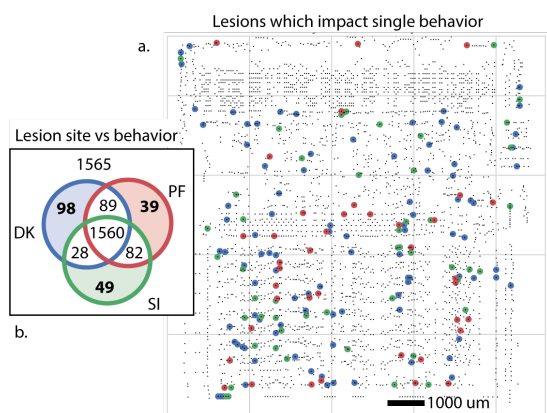
#### Lesion a single transistor at a time

Lesions studies allow us to study the causal effect of removing a part of the system. We thus chose a number of transistors and asked if they are necessary for each of the behaviors of the processor (figure 4). In other words, we asked if removed each transistor, if the processor would then still boot the game. Indeed, we found a subset of transistors that



**Figure 3: Optical reconstruction of the processor to obtain its connectome.** In [11], the (A) MOS 6502 silicon die was examined under a visible light microscope (B) to build up an image mosaic (C) of the chip surface. Computer vision algorithms were used to identify metal and silicon regions (E) to detect transistors (F), (G) ultimately producing a complete accurate netlist of the processor (D)

Could a neuroscientist understand a microprocessor?

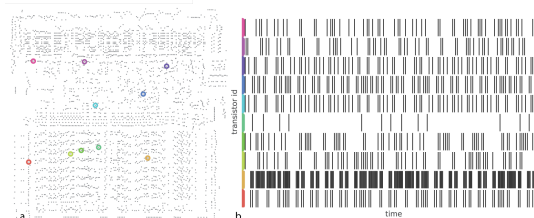


**Figure 4: Lesioning every single transistor to identify function.** We identify transistors whose elimination disrupts behavior analogous to lethal alleles or lesioned brain areas. These are transistors whose elimination results in the processor failing to render the game. (A) Transistors which impact only one behavior, colored by behavior. (B) Breakdown of the impact of transistor lesion by behavioral state. The elimination of 1565 transistors have no impact, and 1560 inhibit all behaviors.

makes one of the behaviors (games) impossible. We might thus conclude they are uniquely responsible for the game – perhaps there is a Donkey Kong transistor or a Space Invaders transistor. Even if we can lesion each individual transistor, we do not get much closer to an understanding of how the processor really works.

This finding of course is grossly misleading. The transistors are not specific to any one behavior or game but rather implement simple functions, like full adders. The finding that some of them are important while others are not for a given game is only indirectly indicative of the transistor’s role and is unlikely to generalize to other games. Lazebnik [9] made similar observations about this approach in molecular biology, suggesting biologists would obtain a large number of identical radios and shoot them with metal particles at short range, attempting to identify which damaged components gave rise to which broken phenotype.

This example nicely highlights the importance of isolating individual behaviors to understand the contribution of parts to the overall function. If we had been able to isolate a single function, maybe by having the processor produce the same math operation every single step, then the lesioning experiments could have produced more meaningful results. However, the same problem exists in neuroscience. It is extremely difficult or technically



**Figure 5: Plotting the spikes to understand their statistics.** (A) 10 identified transistors and (B) their spiking (rising edge) behavior over a short time window during behavior DK.

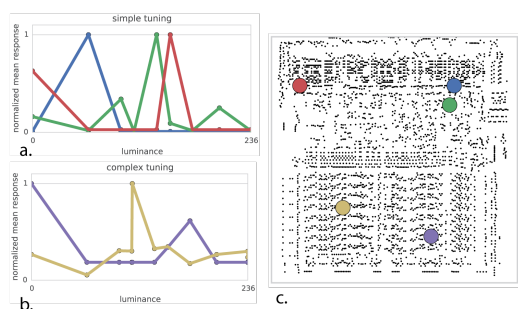
impossible to produce behaviors that only require a single aspect of the brain.

Beyond behavioral choices, we have equivalent problems in neuroscience that make the interpretation of lesioning data complicated [25]. In many ways the chip can be lesioned in a cleaner way than the brain: we can individually abolish every single transistor (this is only now becoming possible with neurons in simple systems [26, 27]). Even without this problem, finding that a lesion in a given area abolishes a function is hard to interpret in terms of the role of the area for general computation. And this ignores the tremendous plasticity in neural systems which can allow regions to take over for damaged areas. In addition to the statistical problems that arise from multiple hypothesis testing, it is obvious that the “causal relationship” we are learning is incredibly superficial: a given transistor is obviously not “responsible” for Donkey Kong or Space Invaders.

Analyzing tuning properties of individual transistors

We may want to try to understand the processor by understanding the activity of each individual transistor. We study the “off-to-on” transition, or “spike”, produced by each individual transistor. Each transistor will be activated at multiple points in time. Indeed, these transitions look surprisingly similar to the spike trains of neurons (fig 5). Following the standards in neuroscience we may then quantify the tuning selectivity of each transistor. For each of our transistors we can plot the spike rate as a function of the luminance of the most recently displayed pixel (fig 6). For a small number of transistors we find a strong tuning to the luminance of the most recently displayed pixel, which we can classify into simple (fig 6a) and (fig 6b) complex curves. Interestingly, however, we know for each of the five displayed

## Could a neuroscientist understand a microprocessor?



**Figure 6: Quantifying tuning curves to understand function.** Mean transistor response as a function of output pixel luminance. (A) Some transistors exhibit simple unimodal tuning curves. (B) More complex tuning curves. (C) Transistor location on chip.

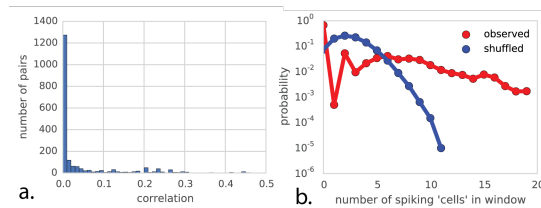
transistors that they are not directly related to the luminance of the pixel to be written, despite their strong tuning. The transistors relate in a highly non-linear way to the ultimate brightness of the screen. As such their apparent tuning is not really insightful about their role. In our case, it probably is related to differences across game stages. This shows how obtaining an understanding of the processor from tuning curves is difficult.

Much of neuroscience is focused on understanding tuning properties of neurons, circuits, and brain areas [28, 29, 30, 31]. Arguably this approach is more justified for the nervous system because brain areas are more strongly modular. However, this may well be an illusion and many studies that have looked carefully at brain areas have revealed a dazzling heterogeneity of responses [32, 33, 34]. Even if brain areas are grouped by function, examining the individual units within may not allow for conclusive insight into the nature of computation.

### The correlational structure exhibits weak pairwise and strong global correlations

Moving beyond correlating single units with behavior, we can examine the correlations present between individual transistors. We thus perform a spike-word analysis [35] by looking at “spike words” across 64 transistors in the processor. We find little to very weak correlation among most pairs of transistors (figure 7a). This weak correlation suggests modeling the transistors’ activities as independent, but as we see from shuffle analysis (figure 7b), this assumption fails disastrously at predicting correlations across many transistors.

In neuroscience, it is known that pairwise corre-



**Figure 7: Spike-word analysis to understand synchronous states.** (A) Pairs of transistors show very weak pairwise correlations during behavior SI, suggesting independence. (B) If transistors were independent, shuffling transistor labels (blue) would have no impact on the distribution of spikes per word, which is not the case (red)

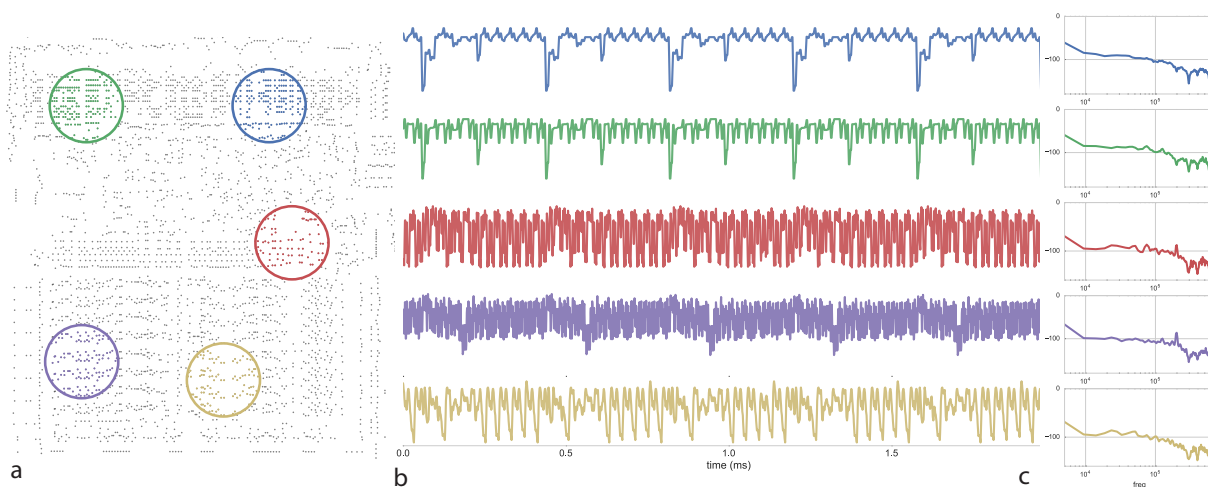
lations in neural systems can be incredibly weak, while still reflecting strong underlying coordinated activity. This is often assumed to lead to insights into the nature of interactions between neurons [35]. However, the processor has a very simple nature of interactions and yet produces remarkably similar spike word statistics. This again highlights how hard it is to derive functional insights from activity data using standard measures.

### Analyzing local field potentials

The activity of the entire chip may be high dimensional, yet we know that the chip, just like the brain, has some functional modularity. As such, we may be able to understand aspects of its function by analyzing the average activity within localized regions, in a way analogous to the local field potentials or the BOLD signals from functional magnetic imaging that are used in neuroscience. We thus analyzed data in spatially localized areas (fig 8a). Interestingly, these average activities look quite a bit like real brain signals (Fig 8b). Indeed, they show a rather similar frequency power relation of roughly power-law behavior. This is often seen as a strong sign of self-organized criticality [36]. Spectral analysis of the time-series reveals region-specific oscillations or “rhythms” that have been suggested to provide a clue to both local computation and overall inter-region communication. In the chip we know that while the oscillations may reflect underlying periodicity of activity, the specific frequencies and locations are epiphenomena. They arise as an artifact of the computation and tell us little about the underlying flow of information. And it is very hard to attribute (self-organized) criticality to the processor.

In neuroscience there is a rich tradition of analyzing the rhythms in brain regions, the distribution of power across frequencies as a function of the task,

## Could a neuroscientist understand a microprocessor?



**Figure 8: Plotting local field potentials to understand network properties.** We recorded from the processor during behavior DK. (A) Transistor switching is integrated and low-pass filtered over the indicated region. (B) local-field potential measurements from the indicated areas. (C) Spectral analysis of the indicated LFP regions identifies varying region-specific oscillations or “rhythms”

and the relation of oscillatory activity across space and time. However, the example of the processor shows that the relation of such measures to underlying function can be extremely complicated. In fact, the authors of this paper would have expected far more peaked frequency distributions for the chip. Moreover, the distribution of frequencies in the brain is often seen as indicative about the underlying biophysics. In our case, there is only one element, the transistor, and not multiple neurotransmitters. And yet, we see a similarly rich distribution of power in the frequency domain. This shows that complex multi-frequency behavior can emerge from the combination of many simple elements. Modeling the processor as a bunch of coupled oscillators, as is common in neuroscience, would make little sense.

### Granger causality to describe functional connectivity

Granger causality [37] has emerged as a method of assessing putative causal relationships between brain regions based on LFP data. To see if we can understand information transmission pathways in the chip based on such techniques, we perform conditional Granger causality analysis on the above-indicated LFP regions for all three behavioral tasks, and plot the resulting inferences of causal interactions (figure 9). We find that the decoders affect the status bits. We also find that the registers are affected by the decoder, and that the accumulator is affected by the registers. We also find commu-

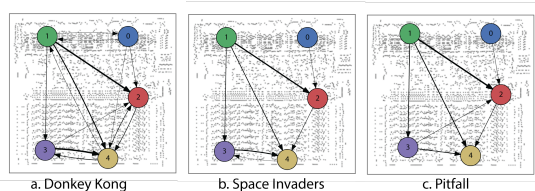
nication between the two parts of the decoder for Donkey Kong, and a lack of communication from the accumulator to the registers in Pitfall. Some of these findings are true, registers really affect the accumulator and decoders really affect the status bits. Other insights are less true, e.g. decoding is independent and the accumulator obviously affects the registers. While some high level insights may be possible, the insight into the actual function of the processor is limited.

The analysis that we did is very similar to the situation in neuroscience. In neuroscience as well, the signals come from a number of local sources. Moreover, there are also lots of connections but we hope that the methods will inform us about the relevant ones. It is hard to interpret the results - what exactly does the Granger causality model tell us about. Granger causality tells us how activity in the past are predictive of activity in the future, and the link from there to causal interactions is tentative at best [38]. Even if such methods would reliably tell us about large scale influences, it is a hard to get from a coarse resolution network to the microscopic computations.

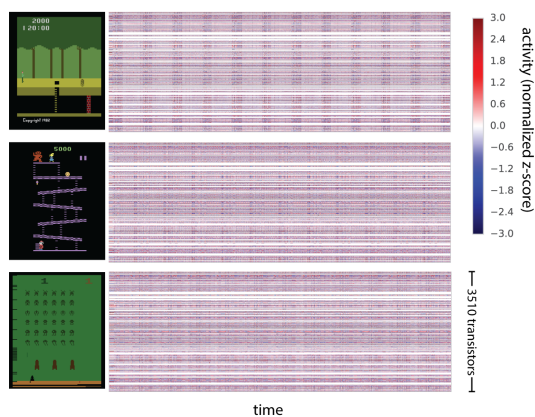
### Dimensionality reduction reveals global dynamics independent of behavior

In line with recent advances in whole-animal recordings [6, 7, 8, 2], we measure the activity across all 3510 transistors simultaneously for all three behavioral states (fig 10) and plot normalized activity for

Could a neuroscientist understand a microprocessor?



**Figure 9: Analyzing conditional Granger causality to understand functional connectivity.** Each of the recordings come from a well defined functional subcircuit. Green and blue are two parts of the decoder circuit. Red includes the status bits. Violet are part of the registers and yellow includes parts of the accumulator. We estimated for each behavioral state from LFP sites indicated in figure 8. Arrows indicate direction of Granger-causal relationship, arrow thickness indicates effect magnitude.

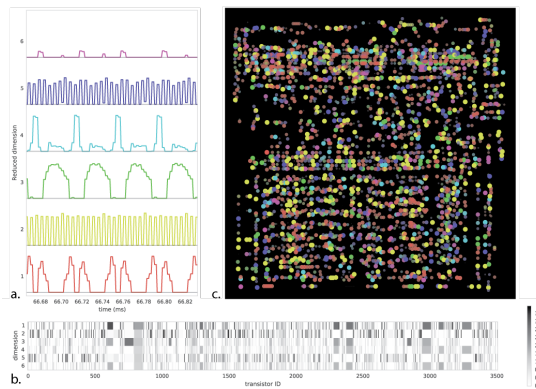


**Figure 10: Whole-brain recording to have all the data.** For each of three behavioral states we plotted all the activities. Each transistor's activity is normalized to zero-mean and unit variance and plotted as a function of time.

each transistor versus time. Much as in neural systems, some transistors are relatively quiet and some are quite active, with a clear behaviorally-specific periodicity visible in overall activity.

While whole-brain recording may facilitate identification of putative areas involved in particular behaviors [39], ultimately the spike-level activity at this scale is difficult to interpret. Thus scientists turn to dimensionality reduction techniques [40, 41, 2], which seek to explain high-dimensional data in terms of a low-dimensional representation of state. We use non-negative matrix factorization [42] to identify constituent signal parts across all time-varying transistor activity. We are thus, for the first time, taking advantage of all transistors simultaneously.

Analogous with [2] we plot the recovered dimensions as a function of time (fig 11a) and the tran-



**Figure 11: Dimensionality Reduction to understand the roles of transistors.** We apply non-negative matrix factorization (NMF) to the space invaders (SI) task. (A) shows the six reduced dimensions as a function of time showing clear stereotyped activity. (B) the learned transistor state vectors for each dimension (C) Map of total activity — color indicates the dimension where the transistor has maximum value, and both saturation and point size indicate the magnitude of that value.

sistor activity profile of each component (fig 11b). We can also examine a map of transistor-component activity both statically (fig 11c) and dynamically (videos available in online supplementary materials). Clearly there is a lot of structure in this spatiotemporal dataset.

To derive insight into recovered dimensions, we can try and relate parts of the low-dimensional time series to known signals or variables we know are important (fig 12a). Indeed, we find that some components relate to both the onset and offset (rise and fall) of the clock signal(fig 12b,c). This is quite interesting as we know that the processor uses a two-phase clock. We also find that a component relates strongly to the processors read-write signal (fig 12d). Thus, we find that variables of interest are indeed encoded by the population activity in the processor.

In neuroscience, it is also frequently found that components from dimensionality reduction relate to variables of interest [43, 44]. This is usually then seen as an indication that the brain cares about these variables. However, clearly, the link to the read-write signal and the clock does not lead to an overly important insight into the way the processor actually processes information. In addition, it's likely that given their global nature, lower-throughput recording technologies could already have revealed these signals. We should be careful at evaluating how much we understand and how much we are aided by more data.



Could a neuroscientist understand a microprocessor?

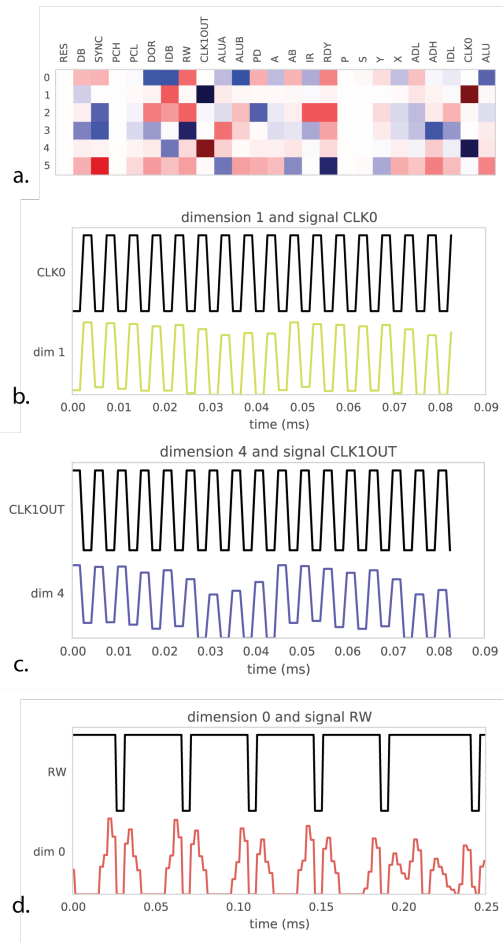
DISCUSSION

Here we have taken a reconstructed and simulated processor and treated the data "recorded" from it in the same way we have been trained to analyze brain data. We have found that the standard data analysis techniques produce results that are surprisingly similar to the results found about real brains. However, in the case of the processor we know its function and structure and our results stayed well short of what we would call a satisfying understanding.

Obviously the brain is not a processor, and a tremendous amount of effort and time have been spent characterizing these differences over the past century [18, 45, 19]. Neural systems are analog and and biophysically complex, they operate at temporal scales vastly slower than this classical processor but with far greater parallelism than is available in state of the art processors. Typical neurons also have several orders of magnitude more inputs than a transistor. Moreover, the design process for the brain (evolution) is dramatically different from that of the processor (the MOS6502 was designed by a small team of people over a few years). As such, we should be skeptical about generalizing from processors to the brain.

However, we cannot write off the failure of these methods on the processor simply because processors are different from neural systems. After all, the brain also consists of a large number of modules that can equally switch their input and output properties. It also has prominent oscillations, which may act as clock signals as well [46]. Similarly, a small number of relevant connections can produce drivers that are more important than those of the bulk of the activity. Also, the localization of function that is often assumed to simplify models of the brain is only a very rough approximation. This is true even in an area like V1 where a great diversity of co-localized cells can be found [47]. Altogether, there seems to be little reason to assume that any of the methods we used should be more meaningful on brains than on the processor.

To analyze our simulations we needed to convert the binary transistor state of the processor into spike trains so that we could apply methods from neuroscience to (see Methods). While this may be artefactual, we want to remind the reader that in neuroscience the idea of an action potential is also only an approximate description of the effects of a cell's activity. For example, there are known effects based on the extrasynaptic diffusion of neurotransmitters [48] and it is believed that active conductances in den-



**Figure 12: Relating dimensions to known signals to understanding the population code.** (A) For each of the recovered dimensions in figure 11 we compute the correlation in time with 25 known signals inside the process. As we know the purpose of these signals we can measure how well the dimensions explain true underlying function. (B) Dimension 1 is strongly correlated with the processor clock CLK0, whereas (C) dimension 4 is correlated with the 180-degree out of phase CLK1OUT signal. (D) dimension 0 is strongly correlated with signal RW, indicating the processor switching between reading and writing memory.

Could a neuroscientist understand a microprocessor?

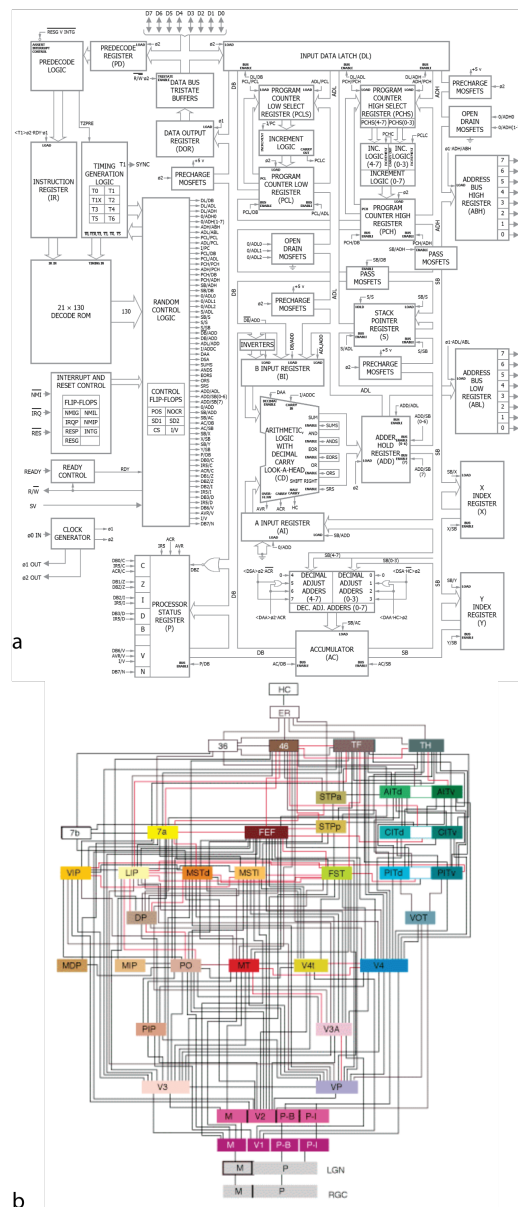
drives may be crucial to computation [49].

Our behavioral mechanisms are entirely passive as both the transistor based simulator is too slow to play the game for any reasonable duration and the hardware for game input/output has yet to be reconstructed. Even if we could “play” the game, the dimensionality of the input space would consist at best of a few digital switches and a simple joystick. One is reminded of the reaching tasks which dominate a large fraction of movement research. Tasks that isolate one kind of computation would be needed so that interference studies would be really interpretable.

If we had a way of hypothesizing the right structure, then it would be reasonably easy to test. Indeed, there are a number of large scale theories of the brain [50, 5, 51]. However, the set of potential models of the brain is unbelievably large. Our data about the brain from all the experiments so far, is very limited and based on the techniques that we reviewed above. As such, it would be quite impressive if any of these high level models would actually match the human brain to a reasonable degree. Still, they provide beautiful inspiration for a lot of ongoing neuroscience research and are starting to exhibit some human-like behaviors[50]. If the brain is actually simple, then a human can guess a model, and through hypothesis generation and falsification we may eventually obtain that model. If the brain is not actually simple, then this approach may not ever converge.

The analytic tools we have adopted are in many ways “classic”, and are taught to graduate students in neuroinformatics courses. Recent progress in methods for dimensionality reduction, subspace identification, time-series analysis, and tools for building rich probabilistic models may provide some additional insight, assuming the challenges of scale can be overcome. Culturally, applying these methods to real data, and rewarding those who innovate methodologically, may become more important. We can look at the rise of bioinformatics as an independent field with its own funding streams. Neuroscience needs strong neuroinformatics to make sense of the emerging datasets. However, we can not currently evaluate if better analysis techniques, even with far more data, can figure out meaningful models of the brain.

In the case of the processor, we really understand how it works. We have a name for each of the modules on the chip and we know which area is covered by each of them (fig 13a). Moreover, for each of these modules we know how its outputs depend on



**Figure 13: Understanding the processor.** (A) For the processor we know which part of the the chip is responsible for which function. We know that these are meaningful because the designers told us so. And for each of these modules we know how the outputs depend on the inputs. (B) For the brain, it is harder to be sure. The Felleman and vanEssen [52] Diagram shows a flow chart and areas that are estimated based on anatomical concerns. However, there is extensive debate about the ideal way of dividing the brain into areas. Moreover, we currently have little of an understanding how each area’s outputs depend on its inputs.

## Could a neuroscientist understand a microprocessor?

---

its inputs and many students of electrical engineering would know multiple ways of implementing the same function. In the case of the brain, we also have a way of dividing it into regions (fig 13b). However, we only use anatomy to divide into modules and even among specialists there is a lot of disagreement about the division. Most importantly though, we do not generally know how the output relates to the inputs. As we reviewed in this paper, we may even want to be careful about the conclusions about the modules that neuroscience has drawn so far, after all, much of our insights come from small datasets, with analysis methods that make questionable assumptions.

There are other computing systems that scientists are trying to reverse engineer. One particularly relevant one are artificial neural networks. A plethora of methods are being developed to ask how they work. This includes ways of letting the networks paint images [53] and ways of plotting the optimal stimuli for various areas [54]. While progress has been made on understanding the mechanisms and architecture for networks performing image classification, more complex systems are still completely opaque [55]. Thus a true understanding even for these comparatively simple, human-engineered systems remains elusive, and sometimes they can even surprise us by having truly surprising properties [56]. The brain is clearly far more complicated and our difficulty at understanding deep learning may suggest that the brain is hard to understand if it uses anything like gradient descent on a cost function.

We also want to suggest that it may be an important intermediate step for neuroscience to develop methods that allow understanding a processor. Because they can be simulated in any computer and arbitrarily perturbed, they are a great testbed to ask how useful the methods are that we are using in neuroscience on a daily basis. Scientific fields often work well in situations where we can measure how well a project is doing. In the case of processors we know their function and we can know if our algorithms discover it. Unless our methods can deal with a simple processor, how could we expect it to work on our own brain?

### Netlist acquisition

All acquisition and development of the initial simulation was performed in James [11]. 200° F sulfuric acid was used to decap multiple 6502D ICs. Nikon LV150n and Nikon Optiphot 220 light microscopes were used to capture 72 tiled visible-light images

of the die, resulting in 342 Mpix of data. Computational methods and human manual annotation used developed to reconstruct the metal, polysilicon, via, and interconnect layers. 3510 active enhancement-mode transistors were captured this way. The authors inferred 1018 depletion-mode transistors (serving as pullups) from the circuit topology as they were unable to capture the depletion mask layer.

### Simulation and behaviors

An optimized C++ simulator was constructed to enable simulation at the rate of 1000 processor ticks per wallclock second. We evaluated the four provided ROMs (Donkey Kong, Space Invaders, Pitfall, and Asteroids) ultimately choosing the first three as they reliably drove the TIA and subsequently produced image frames. 10 seconds of behavior were simulated for each game, resulting in over 250 frames per game.

### Lesion studies

Whole-circuit simulation enables high-throughput targeted manipulation of the underlying circuit. We systematically perturb each transistor in the processor by forcing its input high, thus leaving it in an “on” state. We measure the impact of a lesion by whether or not the system advances far enough to draw the first frame of the game. We identified 1560 transistors which were lethal across all games, 200 transistors which were lethal across two games, and 186 transistors which were lethal for a single game. We plot those single-behavior lesion transistors by game in figure 4.

### Spiking

We chose to focus on transistor switching as this is seemed the closest in spirit to discrete action potentials of the sort readily available to neuroscientific analysis. The alternative, performing analysis with the signals on internal wires, would be analogous to measuring transmembrane voltage. Rasters were plotted from 10 example transistors which showed sufficient variance in spiking rate.

### Tuning curves

We compute luminance from the RGB output value of the simulator for each output pixel to the TIA. We then look at the transistor rasters and sum activity for 100 previous timesteps and call this the “mean rate”. For each transistor we then compute a tuning

## Could a neuroscientist understand a microprocessor?

curve of mean rate versus luminance, normalized by the frequency of occurrence of that luminance value. Note that each game outputs only a small number of discrete colors and thus discrete luminance values. We used SI as it gave the most equal sampling of luminance space. We then evaluate the degree of fit to a unimodal Gaussian for each resulting tuning curve and classify tuning curves by eye into simple and complex responses, of which figure 4 contains representative examples.

### Spike-word analysis

For the SI behavior we took spiking activity from the first 100ms of SI and performed spike word analysis on a random subset of 64 transistors close to the mean firing rate of all 3510.

### Local Field Potential

To derive “local field potentials” we spatially integrate transistor switching over a region with a Gaussian weighting of  $\sigma = 500\mu\text{m}$  and low-pass filter the result using a window with a width of 4 timesteps.

We compute periodograms using Welch’s method with 256-sample long windows with no overlap and a Hanning window.

### Granger Causality

We adopt methods for assessing conditional Granger causality as outlined in [57]. We take the LFP generated using methods in section and create 100 1ms-long trials for each behavioral experiment. We then compute the conditional Granger causality for model orders ranging from 1 to 31. We compute BIC for all behaviors and select a model order of 20 as this is where BIC plateaus.

### Whole brain recording

The transistor switching state for the first  $10^6$  timesteps for each behavioral state is acquired, and binned in 100-timestep increments. The activity of each transistor is converted into a z-score by subtracting mean and normalizing to unit variance.

### Dimensionality Reduction

We perform dimensionality reduction on the first 100,000 timesteps of the 3510-element transistor state vectors for each behavioral condition. We use non-negative matrix factorization from Scikit-Learn [58]

initialized via nonnegative double singular value decomposition solved via coordinate descent, as is the default. We use a latent dimensionality of 6 as it was found by hand to provide the most interpretable results. When plotting, the intensity of each transistor in a latent dimension is indicated by the saturation and size of point.

To interpret the latent structure we first compute the signed correlation between the latent dimension and each of the 25 known signals. We show particularly interpretable results.

### Acknowledgments

We’d like to thank the Visual 6502 team for the original simulation and reconstruction work. We thank Gary Marcus, Adam Marblestone, Malcolm MacIver, John Krakauer, and Yarden Katz for helpful discussions, and The Kavli Foundation for sponsoring the “Workshop on Cortical Computation” where these ideas were first developed. Thanks to Phil Mainwaring for providing the schematic of the 6502 in fig 13. EJ is supported in part by NSF CISE Expeditions Award CCF-1139158, DOE Award SN10040 DE-SC0012463, and DARPA XData Award FA8750-12-2-0331, and gifts from Amazon Web Services, Google, IBM, SAP, The Thomas and Stacey Siebel Foundation, Adatao, Adobe, Apple, Inc., Blue Goji, Bosch, Cisco, Cray, Cloudera, EMC2, Ericsson, Facebook, Fujitsu, Guavus, HP, Huawei, Informatica, Intel, Microsoft, NetApp, Pivotal, Samsung, Schlumberger, Splunk, Virdata, and VMware. KPK is supported by the National Institutes of Health (MH103910, NS074044, EY021579).

### REFERENCES

- [1] Terrence J Sejnowski, Patricia S Churchland, and J Anthony Movshon. “Putting big data to good use in neuroscience.” In: *Nature neuroscience* 17.11 (2014), pp. 1440–1.
- [2] Jeremy Freeman et al. “Mapping brain activity at scale with cluster computing.” In: *Nature methods* 11.9 (2014).
- [3] Marx Vivien. “Charting the Brain’s Networks”. In: *Nature* 490 (2012), pp. 293–298.
- [4] A. Paul Alivisatos et al. “The Brain Activity Map Project and the Challenge of Functional Connectomics”. In: *Neuron* 74.6 (2012), pp. 970–974.
- [5] Henry Markram. “The human brain project”. In: *Scientific American* 306 (2012), pp. 50–55.

Could a neuroscientist understand a microprocessor?

---

- [6] Misha B. Ahrens et al. "Brain-wide neuronal dynamics during motor adaptation in zebrafish". In: *Nature* 485.7399 (2012), pp. 471–477.
- [7] Robert Prevedel et al. "Simultaneous whole-animal 3D imaging of neuronal activity using light-field microscopy". In: *Nature Methods* 11.7 (May 2014), pp. 727–730.
- [8] Jeffrey P. Nguyen et al. "Whole-brain calcium imaging with cellular resolution in freely behaving *C. elegans*". In: (2015), p. 33.
- [9] Yuri Lazebnik. "Can a biologist fix a radio? Or, what I learned while studying apoptosis". In: *Cancer Cell* 2.3 (Sept. 2002), pp. 179–182.
- [10] Nick Montfort and Ian Bogost. *Racing The Beam: The Atari Video Computer System*. Cambridge: The MIT Press, 2009, p. 192.
- [11] Greg James, Barry Silverman, and Brian Silverman. "Visualizing a classic CPU in action". In: *ACM SIGGRAPH 2010 Talks on - SIGGRAPH '10*. New York, New York, USA: ACM Press, 2010, p. 1.
- [12] Shin-ya Takemura et al. "A visual motion detection circuit suggested by *Drosophila* connectomics". In: *Nature* 500.7461 (Aug. 2013), pp. 175–181.
- [13] Moritz Helmstaedter et al. "Connectomic reconstruction of the inner plexiform layer in the mouse retina". In: *Nature* 500.7461 (Aug. 2013), pp. 168–174.
- [14] Volodymyr Mnih et al. "Human-level control through deep reinforcement learning". In: *Nature* 518.7540 (2015), pp. 529–533.
- [15] Greg Aloupis et al. "Classic Nintendo Games are (Computationally) Hard". In: *Proceedings of the 7th International Conference on Fun with Algorithms (FUN 2014)*, Lipari Island, Italy, 2014, pp. 41–50.
- [16] J J Hopfield and C D Brody. "What is a moment? Transient synchrony as a collective mechanism for spatiotemporal integration." In: *Proceedings of the National Academy of Sciences of the United States of America* 98.3 (2001), pp. 1282–1287.
- [17] Christoph Kayser, Konrad P. Körding, and Peter König. "Processing of complex stimuli and natural scenes in the visual cortex". In: *Current Opinion in Neurobiology* 14.4 (2004), pp. 468–473.
- [18] John von Neumann. *The Computer and The Brain*. First. New Haven: Yale University Press, 1958.
- [19] Gary Marcus, A. Marblestone, and T. Dean. "The atoms of neural computation". In: *Science* 346.6209 (Oct. 2014), pp. 551–552.
- [20] Eve Marder and Jean-Marc Goaillard. "Variability, compensation and homeostasis in neuron and network function". In: *Nature Reviews* 7.July (2006), pp. 563–574.
- [21] Nancy A O'Rourke et al. "Deep molecular diversity of mammalian synapses: why it matters and how to measure it." In: *Nature reviews. Neuroscience* 13.6 (2012), pp. 365–79.
- [22] Timothy K Horiuchi, Brooks Bishofberger, and Christof Koch. "An Analog VLSI Saccadic Eye Movement System". In: *Advances in Neural Information Processing Systems* 6 (1994), pp. 582–589.
- [23] Theodore W Berger et al. "A cortical neural prosthesis for restoring and enhancing memory." In: *Journal of neural engineering* 8.4 (2011), p. 046017.
- [24] David Marr. *VISION*. Henry Holt and Company, 1982, p. 397.
- [25] Chris Rorden and Hans-Otto Karnath. "Using human brain lesions to infer function: a relic from a past era in the fMRI age?" In: *Nature reviews. Neuroscience* 5.10 (2004), pp. 813–9.
- [26] Arnim Jenett et al. "A GAL4-Driver Line Resource for *Drosophila* Neurobiology". In: *Cell Reports* 2.4 (2012), pp. 991–1001.
- [27] Yoshinori Aso et al. "The neuronal architecture of the mushroom body provides a logic for associative learning". In: *eLife* 3 (2014), pp. 1–47.
- [28] D. H. Hubel and T. N. Wiesel. "Receptive fields, binocular interaction and functional architecture in the cat's visual cortex". In: *The Journal of Physiology* 160.1 (Jan. 1962), pp. 106–154.
- [29] J. O'Keefe and J. Dostrovsky. "The hippocampus as a spatial map. Preliminary evidence from unit activity in the freely-moving rat". In: *Brain Research* 34.1 (Nov. 1971), pp. 171–175.
- [30] T. Hafting et al. "Microstructure of a spatial map in the entorhinal cortex." In: *Nature* 436.7052 (2005), pp. 801–806.

Could a neuroscientist understand a microprocessor?

---

- [31] N Kanwisher, J McDermott, and M M Chun. "The fusiform face area: a module in human extrastriate cortex specialized for face perception." In: *The Journal of neuroscience : the official journal of the Society for Neuroscience* 17.11 (1997), pp. 4302–11.
- [32] J L Gallant et al. "Neural responses to polar, hyperbolic, and cartesian grating in area V4 of the macaque monkey". In: *Journal of Neurophysiology* 76.4 (1996), pp. 2718–2739.
- [33] Bernt C. Skottun et al. "Classifying simple and complex cells on the basis of response modulation". In: *Vision Research* 31.7-8 (1991), pp. 1079–1086.
- [34] Rodrigo Quiroga et al. "Invariant visual representation by single neurons in the human brain". In: *Nature* 435.7045 (2005), pp. 1102–1107.
- [35] Elad Schneidman et al. "Weak pairwise correlations imply strongly correlated network states in a neural population." In: *Nature* 440.April (2006), pp. 1007–1012.
- [36] Janina Hesse and Thilo Gross. "Self-organized criticality as a fundamental property of neural systems". In: *Frontiers in Systems Neuroscience* 8.September (2014), p. 166.
- [37] A. K. Seth, A. B. Barrett, and L. Barnett. "Granger Causality Analysis in Neuroscience and Neuroimaging". In: *Journal of Neuroscience* 35.8 (2015), pp. 3293–3297.
- [38] Ian H. Stevenson and Konrad P. Körding. "On the Similarity of Functional Connectivity between Neurons Estimated across Timescales". In: *PLoS ONE* 5.2 (Feb. 2010). Ed. by Paul L. Gribble, e9206.
- [39] Scott A Huettel, Allen W. Song, and Gregory McCarthy. *Functional Magnetic Resonance Imaging*. 3rd Ed. Sinauer Associates, 2014, p. 573.
- [40] John P Cunningham and Byron M Yu. "Dimensionality reduction for large-scale neural recordings". In: *Nature Neuroscience* (Aug. 2014).
- [41] Mark M Churchland et al. "Neural population dynamics during reaching." In: *Nature* 487.7405 (July 2012), pp. 51–6.
- [42] D D Lee and H S Seung. "Learning the parts of objects by non-negative matrix factorization." In: *Nature* 401.6755 (1999), pp. 788–91.
- [43] Gautam Agarwal et al. "Spatially Distributed Local Fields in the Hippocampus Encode Rat Position". In: *Science* 344.6184 (May 2014), pp. 626–630.
- [44] Lena H. Ting and J. Lucas McKay. "Neuromechanics of muscle synergies for posture and movement". In: *Current Opinion in Neurobiology* 17.6 (2007), pp. 622–628.
- [45] M B Kennedy. "Signal-processing machines at the postsynaptic density." In: *Science (New York, N.Y.)* 290.5492 (Oct. 2000), pp. 750–4.
- [46] G. Buzsaki. "Neuronal Oscillations in Cortical Networks". In: *Science* 304.5679 (June 2004), pp. 1926–1929.
- [47] Dario L Ringach, Robert M Shapley, and Michael J Hawken. "Orientation selectivity in macaque V1: diversity and laminar dependence." In: *The Journal of neuroscience : the official journal of the Society for Neuroscience* 22.13 (2002), pp. 5639–5651.
- [48] Eve Marder and Vatsala Thirumalai. "Cellular, synaptic and network effects of neuromodulation". In: *Neural Networks* 15.4-6 (2002), pp. 479–493.
- [49] Michael London and Michael Häusser. "Dendritic Computation". In: *Annual Review of Neuroscience* 28.1 (2005), pp. 503–532.
- [50] Chris Eliasmith et al. "A Large-Scale Model of the Functioning Brain". In: *Science* 338.6111 (Nov. 2012), pp. 1202–1205.
- [51] John R. Anderson, Michael Matessa, and Christian Lebiere. "ACT-R: A Theory of Higher Level Cognition and its Relation to Visual Attention". In: *Human-Computer Interaction* 12 (1997), pp. 439–462.
- [52] D J Felleman and D C Van Essen. "Distributed hierarchical processing in the primate cerebral cortex." In: *Cerebral cortex (New York, N.Y. : 1991)* 1.1 (1991), pp. 1–47.
- [53] Jason Yosinski et al. "Understanding Neural Networks Through Deep Visualization". In: *International Conference on Machine Learning - Deep Learning Workshop 2015* (2015), p. 12.
- [54] Matthew D. Zeiler and Rob Fergus. "Visualizing and understanding convolutional networks". In: *Lecture Notes in Computer Science (including subseries Lecture Notes in Artificial Intelligence and Lecture Notes in Bioinformatics)* 8689 LNCS.PART 1 (2014), pp. 818–833.

---

Could a neuroscientist understand a microprocessor?

---

- [55] R J Lipton and K W Regan. *Magic To Do*. 2016.
- [56] Christian Szegedy, W Zaremba, and I Sutskever. "Intriguing properties of neural networks". In: *arXiv preprint arXiv: ...* (2013), pp. 1–10.
- [57] Mingzhou Ding, Yonghong Chen, and Steven L Bressler. "Granger Causality: Basic Theory and Application to Neuroscience". In: *Handbook of Time Series Analysis* February (2006), pp. 451–474.
- [58] Fabian Pedregosa et al. "Scikit-learn: Machine Learning in Python". In: *Journal of Machine ...* 12 (Jan. 2012), pp. 2825–2830.